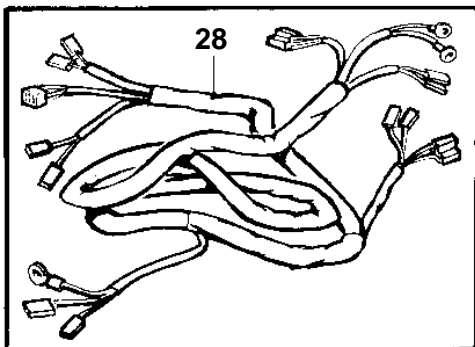
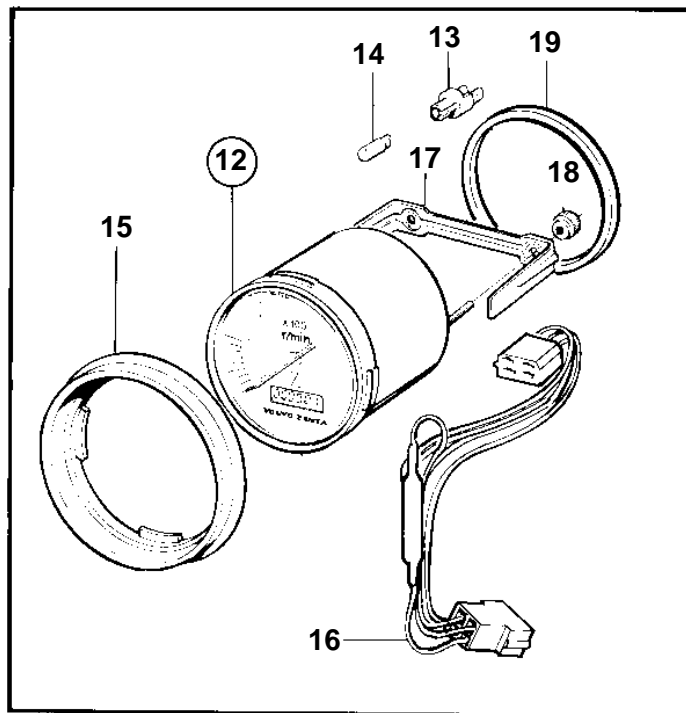
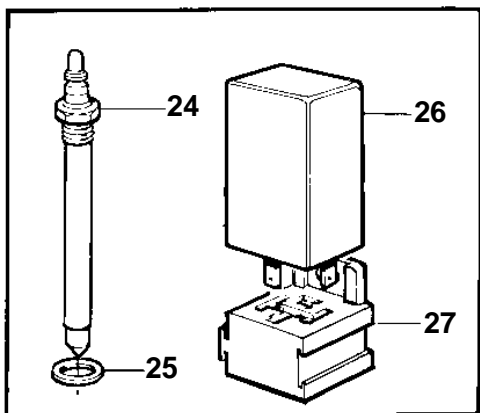
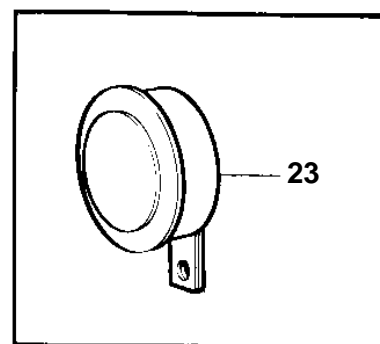
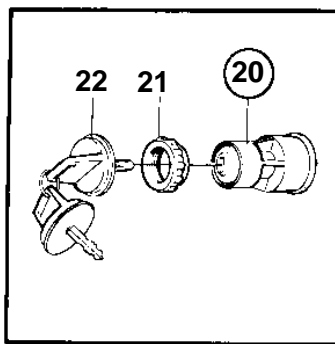
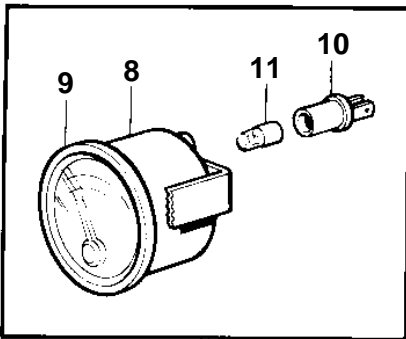
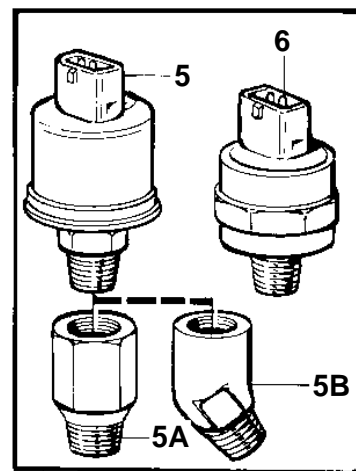
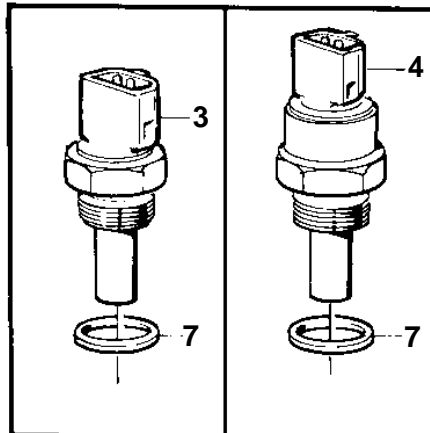
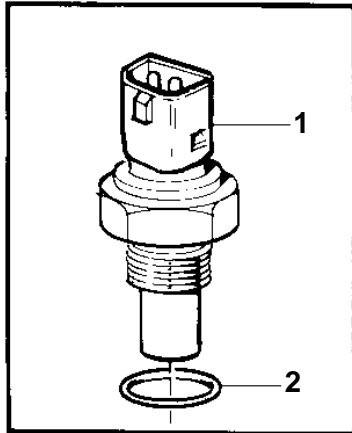


TAD1030P



16746

TAD1030P

REF	PART NO.	QTY	DESCRIPTION	SEE SEC.	NOTES
1	862289	1	Sender, rpm		
2	925059	1	O-ring		
3	862154	1	Temperature sensor, coolant water temp.		MAX 120°C
4	862250	1	Thermo monitor, coolant water temp.		97°C
	848829	1	Temperature sensor, coolant water temp.		103°C
5	866835	1	Pressure sensor, oil-engine		(862155) 0-10bar
5A	835980	1	Nipple		EARLY TYPE
5B	809109	1	Elbow nipple		LATE TYPE
6	863169	1	Pressure monitor, oil pressure		0,7bar
7	947624	2	Gasket		
8	854908	1	Tachometer, hour/tachometer		24V
	872040	1	Instrument, tachometer		24V, REPL BY 873722
	872479	1	Hour counter, hour meter		12V-24V
	849848	1	Thermometer, coolant water temp.		
	849849	1	Oil pressure gauge, oil pressure		
9	858644	1	Front ring		O.D=95 mm, FOR 872040
	858643	1	Front ring		O.D=65mm, FOR 872479
10	808175	1	Bulb socket		FOR 854908,872040,. For bulb with base BA 7s.
					849848, 849849
	863945	1	Bulb socket		FOR 872479. For bulb with base W2X4,6d.
11	182059	1	Bulb		24Vx3W BA 7S
	863946	1	Bulb		12Vx1,2W W2x4,6d
	863947	1	Bulb		24Vx1,2W W2x4,6d
12	873722	1	Rev counter kit		
13	863945	1	· Bulb socket		
14	863947	1	· Bulb		
15	873683	1	· Front ring		
16	873695	1	· Diode cable		
17	873208	1	· Retainer		
18		2	· · Nut		
19	873721	1	Intermediate ring		
20	864277	1	Starter switch		
21	859955	1	· Plastic nut		
22	859953	2	· Key	SO	State key code when ordering.
			· Bulletin 49-30	49-30-EN	Key P/N 859953
23	872874	1	Horn		24V
24	1581232	1	Level indicator		L=86mm. Not for expansion tank made of plastic.
25	11994	1	Gasket		
26	1622515	1	Level relay		
27	946556	1	Housing		
28	866894	1	Wiring harness		(862218) ENGINE
	863867	X	Cable trunk		L=2500mm
	863868	X	Cable trunk		L=8000mm